

ASSEMBLY INSTRUCTIONS

A. Backrest x 1

B. Seat x 1

C. Salver x 1

D. Base x 1

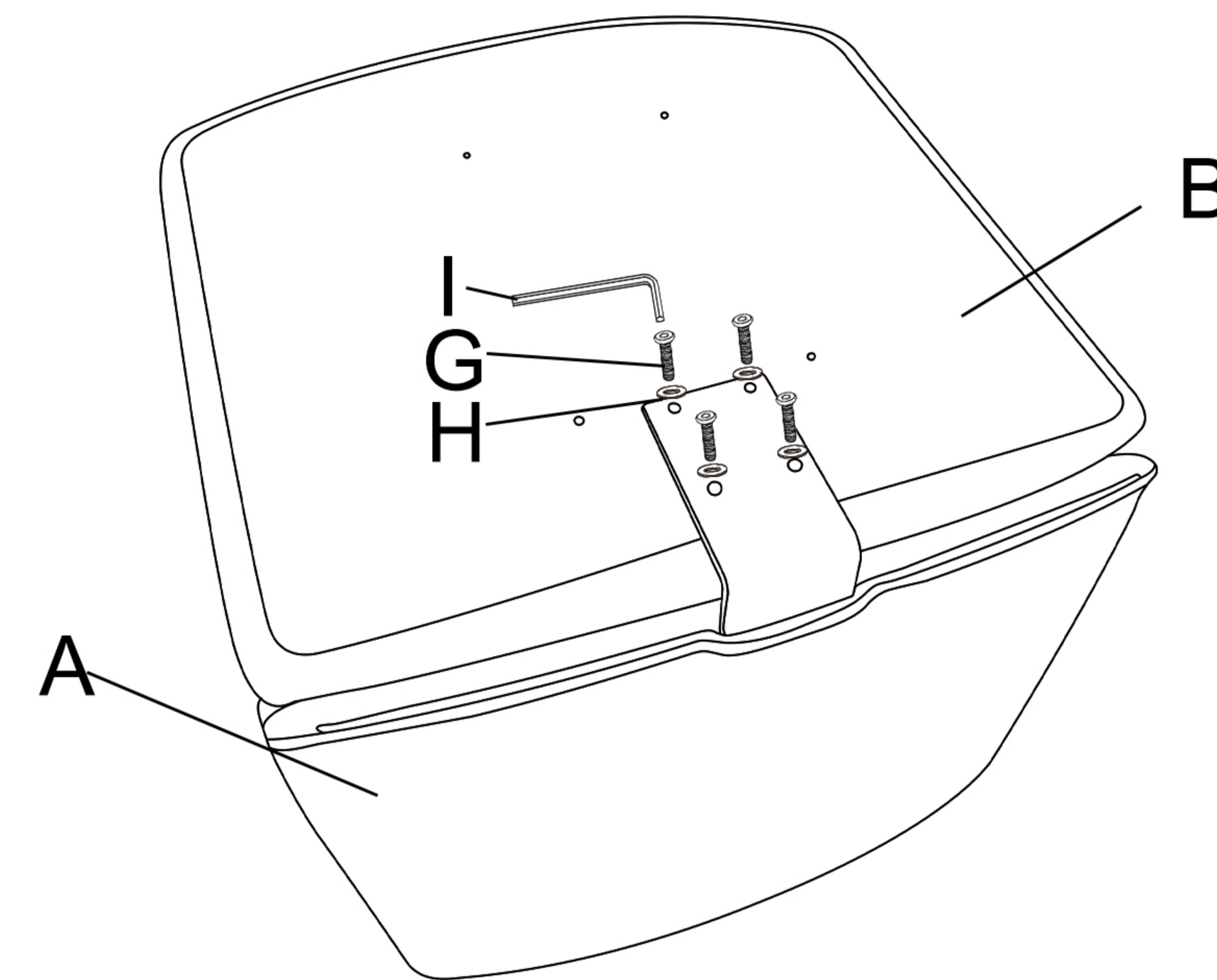
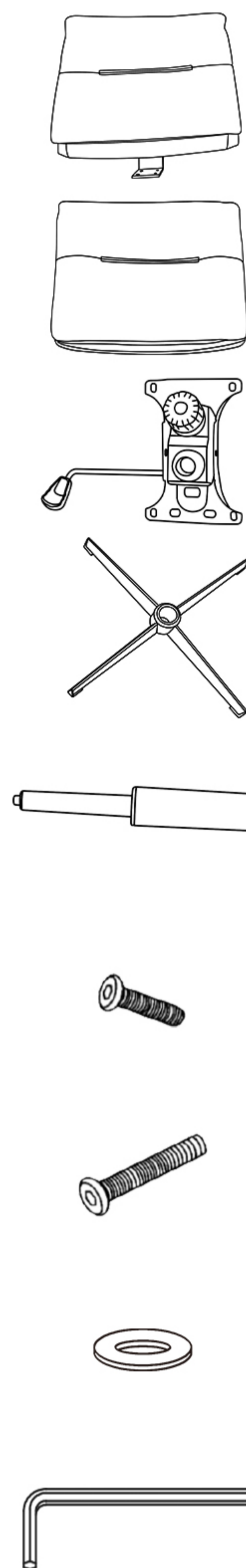
E. Gaslift x 1

F. Screws x 4 (M6 x 20)

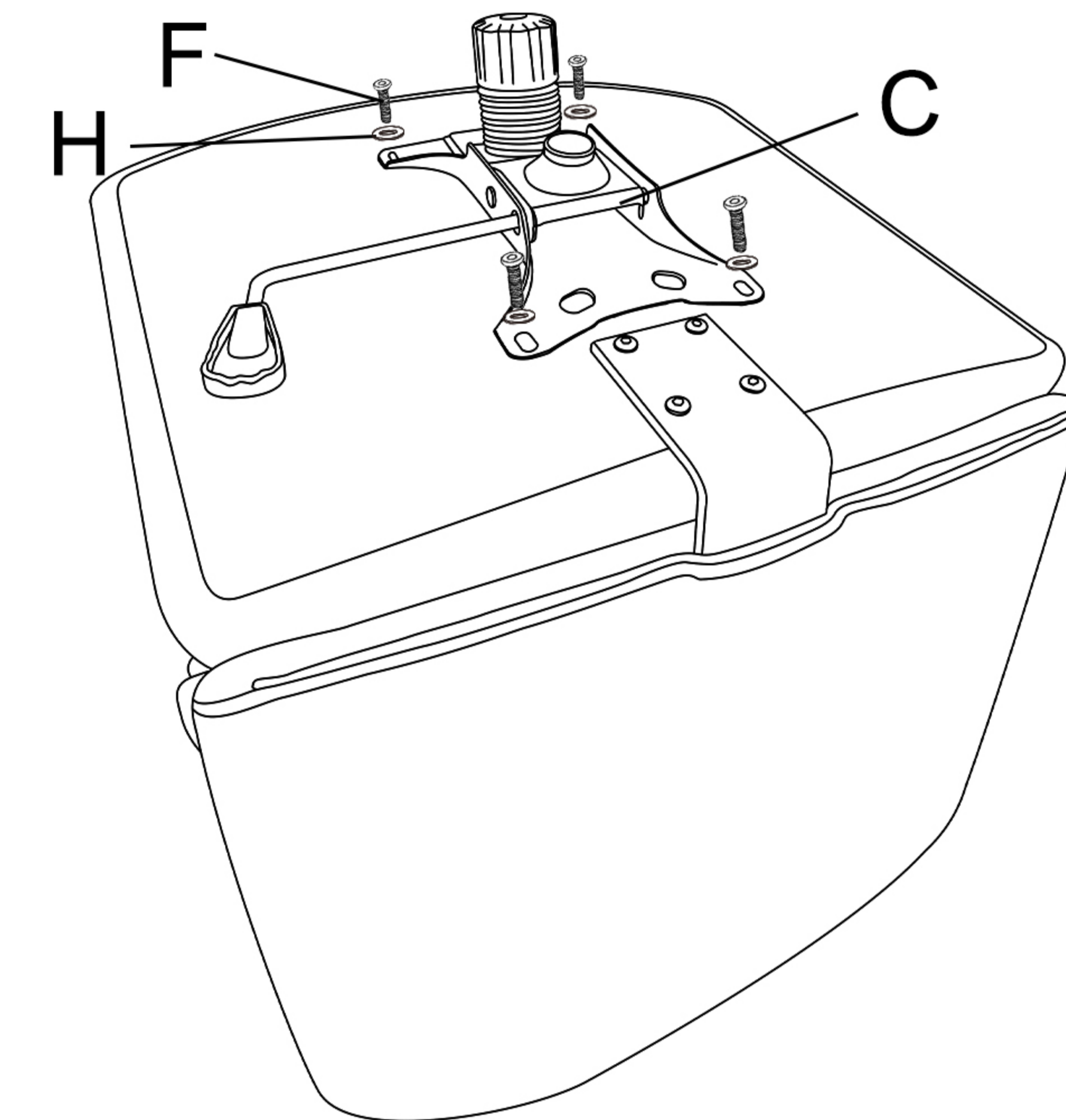
G. Screws x 4 (M6 x 25)

H. Flat washers x 8 (M8 x 17)

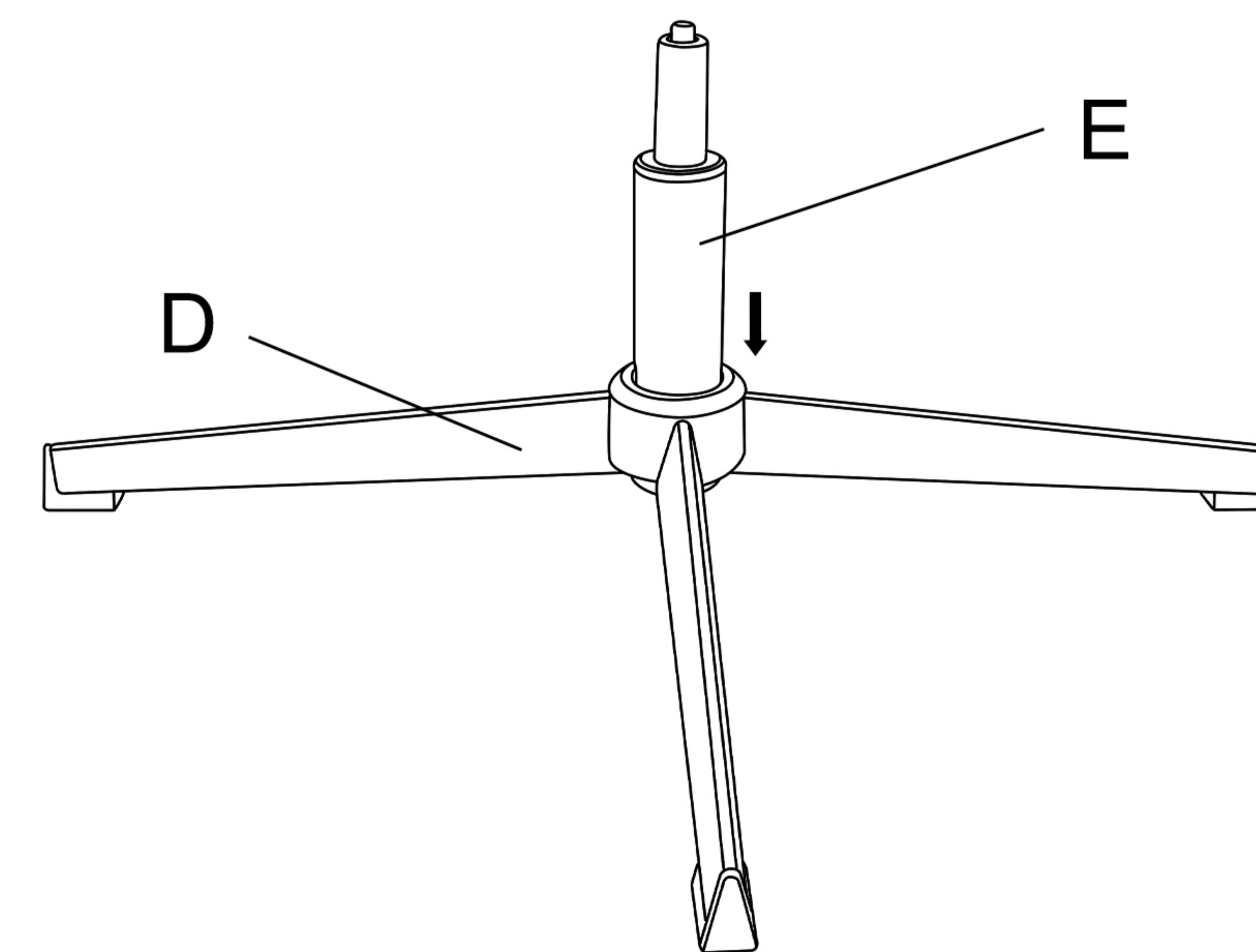
I. Hex key x 1



1



2



3



4

Remark: First fix screws lightly by hand and at the end of the assembly fasten the screws firmly with tools.